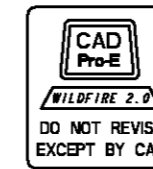
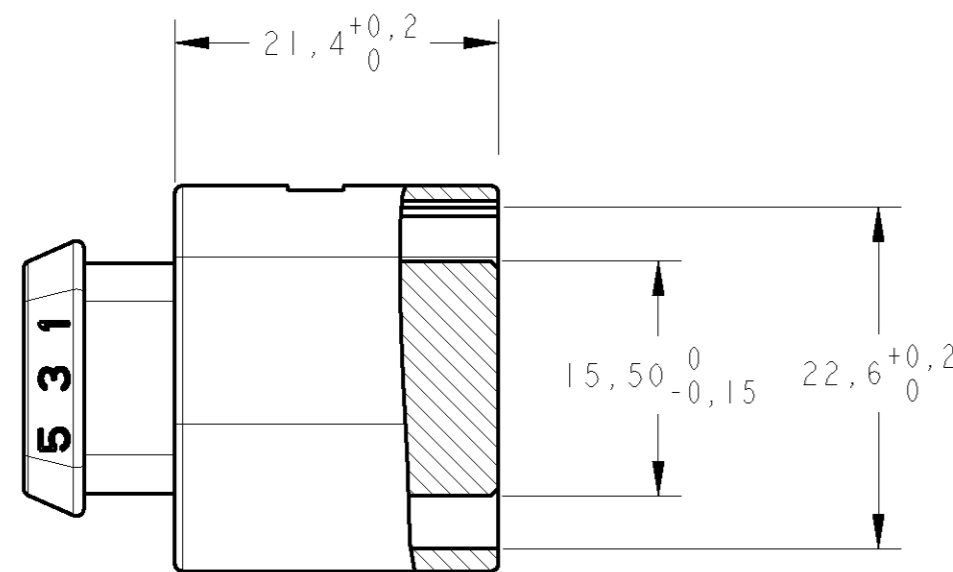


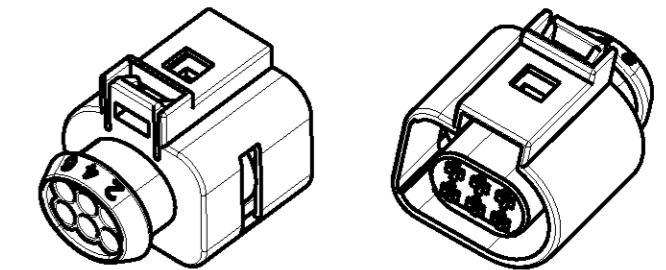
THIS DRAWING IS UNPUBLISHED. RELEASED FOR PUBLICATION 20
 © COPYRIGHT 20 BY TYCO ELECTRONICS CORPORATION. ALL RIGHTS RESERVED.



LOC	DIST	REVISIONS			
P	LTR	DESCRIPTION	DATE	DWN	APVD
AP	-	A	RELEASED	11FEB2009	NCL WAO
		AI	REVISED DESIGN ECO-09-004883	26FEB2009	NCL WAO

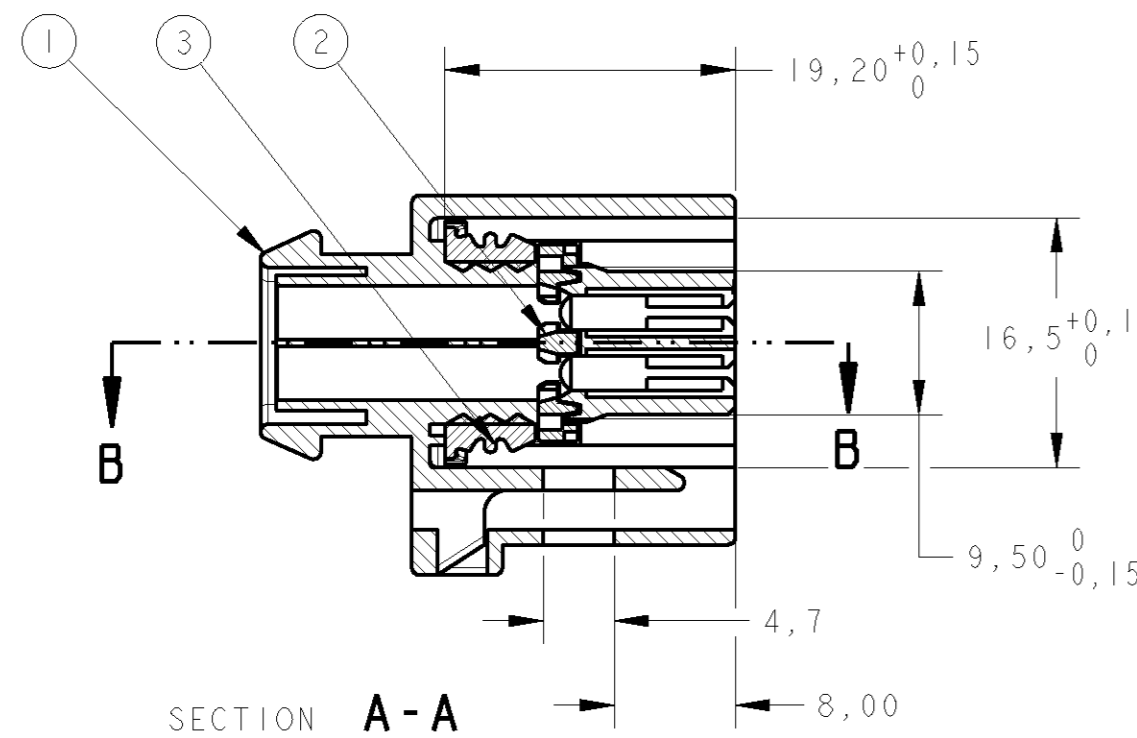


SECTION B-B

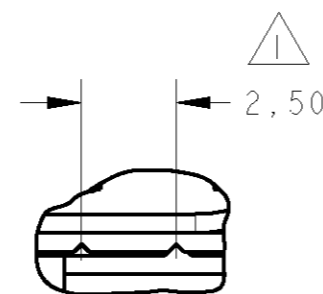
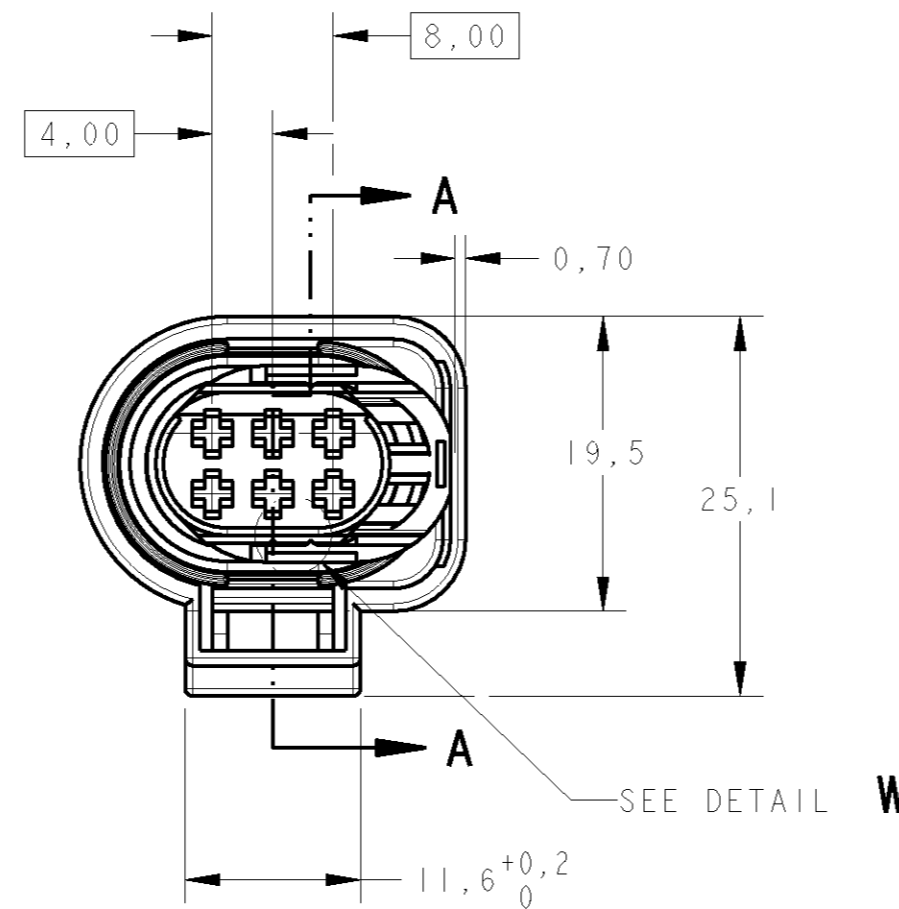


PERSPECTIVE VIEWS
SCALE 1:1

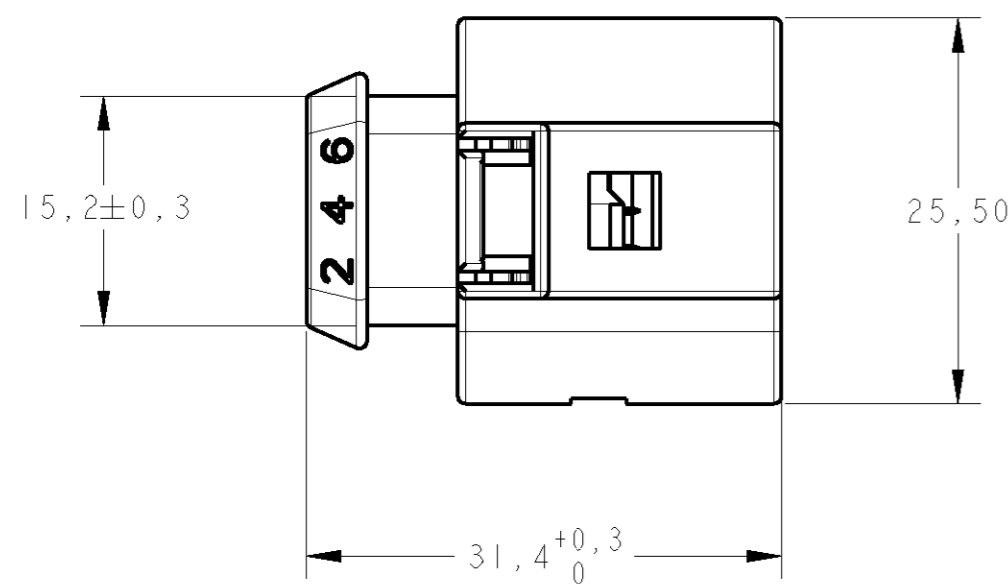
GRAVAÇÕES MARKINGS
LOGOTIPO TE TE LOGO
CÓDIGO PAÍS PRODUTOR MANUFACTURER COUNTRY CODE
NOMENCLATURA MATERIAL MATERIAL NOMENCLATURE
NÚMERO COMPONENTE TE TE COMPONENT NUMBER
NÚMERO CAVIDADE CAVITY NUMBER
RELÓGIO DATADOR DATE CODE
PAÍS PRODUTOR MANUFACTURER COUNTRY
REV+ LETRA REV.DA PEÇA REV.+ PART REV.LETTER
IDENTIFICAÇÃO CIRCUITO CIRCUIT IDENTIFICATION



SECTION A-A



DETAIL W
SCALE 5:1



△ - FORNECIDO COMO MOSTRADO NA POSIÇÃO DE PRE-TRAVAMENTO.
APÓS A INSERÇÃO DOS CONTATOS, EMPURRAR 2,0mm

SHOW AS SUPPLIED, RETAINER IN PRE-LOCKED POSITION.
AFTER CONTACT LOADING, TO PUSH 2,0mm

2- EMBALADO À GRANEL

-BULK PACKAGED

REQ. PER ASSY	ITEM	DESCRIPTION	MATERIAL	FINISH
	3	SEAL, 6 POSN., MT2, RCPT.	SILICONE	LARANJA / ORANGE
	2	SPACER, 6 POSN., MT2, RCPT	PBT + 10%GF	VIOLETA / VIOLET
	1	HOUSING, 6 POSN, MT2, RCPT.	PBT	PRETO / BLACK
1599620	-2	ITEM		

THIS DRAWING IS A CONTROLLED DOCUMENT FOR TYCO ELECTRONICS CORPORATION IT IS SUBJECT TO CHANGE AND THE CONTROLLING ENGINEERING ORGANIZATION SHOULD BE CONTACTED FOR THE LATEST REVISION.		DWN 11FEB2009 NCLAPRESA CHK 11FEB2009 APVD 11FEB2009 WAO LVEIRA	Tyco Electronics TYCO ELECTRONICS do Brasil LTDA. Sao Paulo, Brasil
DIMENSIONS: mm 	TOLERANCES UNLESS OTHERWISE SPECIFIED: 0 PLC ± 1 PLC ±0.2 2 PLC ±0.10 3 PLC ± 4 PLC ± ANGLES ±° FINISH	NAME HOUSING ASSY., 6 POSN. MT2, RCPT SIZE CAGE CODE DRAWING NO RESTRICTED TO WEIGHT 0,0078kg A200779 C-1599620 CUSTOMER DRAWING SCALE 2:1 SHEET OF REV AI	